

Fuwa



K HITCH

An Easier Smooth High Speed Lift With K Hitch Legs

The light weight KH2270S series are a high speed low maintenance semi-trailer landing gear. K Hitch Landing Gear Legs are the smoothest on the Australian market. The gears are drop forged from quality steel, hardened and machined to extend service life and provide easy winding and lifting. The main lift screw is encased, grease filled and sealed in a tube to ensure maintenance free operation.



Lift up with the Best

NEW RELEASE

Specifications

CAPACITY 24,000kg/pair STATIC LOAD 50,000kg/pair WEIGHT Approx 91kg (with rocker foot)

MOUNTING PLATE 5 holes x 57mm x 190mm (din) LIFT 480mm 430mm CRANK FORCE 35kg

GEAR RATIO: LOW GEAR 1mm per turn HIGH GEAR 24.6mm per turn

PAINTING Sandblasted to SAE 2.5 and coated cure baked on black color gloss finish.

Fuwa



K HITCH

MELBOURNE

Fuwa K Hitch (Australia) Pty Ltd
13-21 Bliss Court
Derrimut Vic 3030

Tel 03 9369 0000

Fax 03 9369 0100

Mobile 0411 844 407

email melb@khitch.com.au

www.khitch.com.au

PERTH

Fuwa K Hitch (Australia) Pty Ltd
480 Abernethy Road
Kewdale WA 6105

Tel 08 9449 1166

Fax 08 9449 1195

Mobile 0411 844 427

email perth@khitch.com.au

www.khitch.com.au

QUEENSLAND

Fuwa K Hitch (Australia) Pty Ltd
PO Box 121
Fernvale Qld 4306

Tel 07 5426 4866

Fax 07 5426 4866

Mobile 0416 021 662

email Qld@khitch.com.au

www.khitch.com.au

SINGAPORE

Fuwa Engineering (S) Pte Ltd
No 11 Tuas South Street 1
Singapore 638062

Tel 065 6862 2053

Fax 065 6862 2162

Mobile 9669 3916

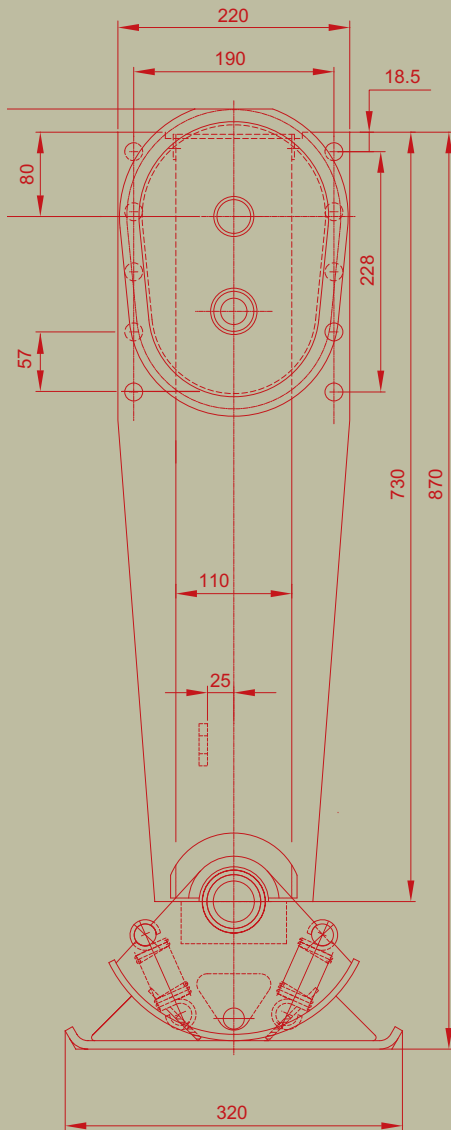
email fuwasin@pacific.net.sg

www.fuwa-china.com

Manufactured to ISO 9002 certification and designed to exceed the test conditions developed by the Association of American Railroad Engineers. This and other standard features provide greater strength and reliability.

Standard Model

PART NO.	LIFT
KH2270S01	430mm
KH2270S02	480mm



PART NO.	FOOT TYPE	STROKE
KH2270S01/A	ROCKER	430
KH2270S01/G	SELF LEVEL	430
KH2270S01/T	SKID	430
KH2270S01/S	COMPENSATING	430
KH2270S02/A	ROCKER	480
KH2270S02/G	SELF LEVEL	480
KH2270S02/T	SKID	480
KH2270S02/S	COMPENSATING	480



A Universal bolt pattern, two stroke lengths and five optional foot groups, allows for complete interchangeability with most other makes.

SPECIFICATIONS ARE SUBJECT TO CHANGE AT ANY TIME WITHOUT PRIOR NOTICE.

Features of the 2270S Series include:

- Cover cap on rear push pull shaft. Sealed cover for top of the leg. Sealant gear box.
- Gearbox with low temperature premium classis heat rated for service from -30°C to 120°C.
- Low maintenance feature with greased packed jackscrew.

CONTACT YOUR LOCAL K HITCH DISTRIBUTOR FOR MORE INFORMATION ON K HITCH PRODUCTS.

Fuwa



KHITCH

An Easier Smoother Lift With K Hitch Legs

The KH25000 series low maintenance semi-trailer landing gear. K Hitch Landing Gear Legs are the smoothest on the Australian market. The gears are drop forged from quality steel, hardened and machined to extend service life and provide easy winding and lifting. The main lift screw is encased, grease filled and sealed in a tube to ensure maintenance free operation.



Lift up with the Best

Specifications

LIFT CAPACITY	28,000kg/pair	STATIC LOAD CAPACITY	80,000kg/pair	WEIGHT	102kg (with skid foot)	
MOUNTING PLATE	5 holes x 57mm x 190mm (din)		LIFT	480mm 430mm	CRANK FORCE	28T - 35kg
GEAR RATIO - LOW GEAR	0.71mm per turn of handle					
GEAR RATIO - HIGH GEAR	5.4mm per turn of handle					

Fuwa



KHITCH

MELBOURNE

Fuwa K Hitch (Australia) Pty Ltd
13-21 Bliss Court
Derrimut Vic 3030

Tel 03 9369 0000

Fax 03 9369 0100

Mobile 0411 844 407

email melb@khitch.com.au

www.khitch.com.au

PERTH

Fuwa K Hitch (Australia) Pty Ltd
480 Abernethy Road
Kewdale WA 6105

Tel 08 9449 1166

Fax 08 9449 1195

Mobile 0411 844 427

email perth@khitch.com.au

www.khitch.com.au

QUEENSLAND

Fuwa K Hitch (Australia) Pty Ltd
PO Box 121
Fernvale Qld 4306

Tel 07 5426 4866

Fax 07 5426 4866

Mobile 0416 021 662

email Qld@khitch.com.au

www.khitch.com.au

SINGAPORE

Fuwa Engineering (S) Pte Ltd
No 11 Tuas South Street 1
Singapore 638062

Tel 065 6862 2053

Fax 065 6862 2162

Mobile 9669 3916

email fuwasin@pacific.net.sg

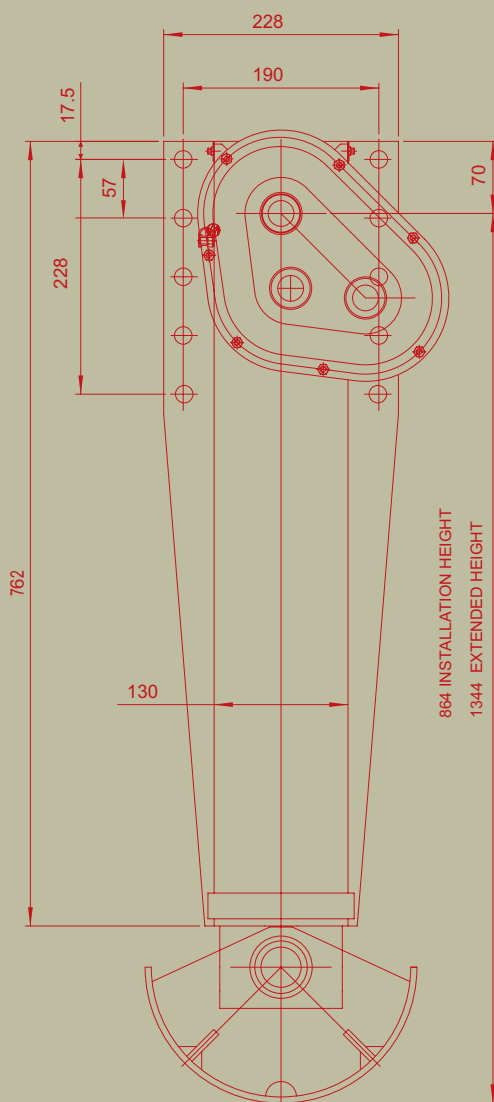
www.fuwa-china.com

Manufactured to ISO 9002 certification and designed to exceed the test conditions developed by the Association of American Railroad Engineers. This and other standard features provide greater strength and reliability.

Standard Model

PART NO.	LIFT
KH250001	430mm
KH250002	480mm

PART NO.	FOOT TYPE	STROKE	CLOSED LENGTH
KH250001/A	ROCKER	430	814
KH250001/G	SELF LEVEL	430	770
KH250001/T	SKID	430	794
KH250001/S	COMPENSATING	430	794
KH250002/A	ROCKER	480	822
KH250002/G	SELF LEVEL	480	864
KH250002/T	SKID	480	820
KH250002/S	COMPENSATING	480	844



A Universal bolt pattern, two stroke lengths and five optional foot groups, allows for complete interchangeability with most other makes.

SPECIFICATIONS ARE SUBJECT TO CHANGE AT ANY TIME WITHOUT PRIOR NOTICE.

Features of the KH25000 series include:

Wider square sections of 130mm with "double" tubings. Wider full mounting plate of continental or universal version. 480mm or 430mm lift. Bigger sand shoe. Gearbox with low temperature premium chassis grease, rated for service from -30°C to +120°C. Low maintenance feature with grease packed jaw screw. Lower crank force. Meets TTMA, AAR and German safety regulations for commercial vehicles.

CONTACT YOUR LOCAL K HITCH DISTRIBUTOR FOR MORE INFORMATION ON K HITCH PRODUCTS.

Fuwa



KHITCH

An Easier Smoother Lift With K Hitch Legs

The KH27000 series low maintenance semi-trailer landing gear. K Hitch Landing Gear Legs are the smoothest on the Australian market. The gears are drop forged from quality steel, hardened and machined to extend service life and provide easy winding and lifting. The main lift screw is encased, grease filled and sealed in a tube to ensure maintenance free operation.



Lift up with the Best

Specifications

LIFT CAPACITY	28,000kg/pair	STATIC LOAD CAPACITY	80,000kg/pair	WEIGHT	105kg (with rocker foot)
MOUNTING PLATE	5 holes x 57mm x 190mm (din)	LIFT	480mm 430mm	CRANK FORCE	28T - 35kg
GEAR RATIO	- LOW GEAR 1.0mm per turn of handle HIGH GEAR 11mm per turn of handle				

Fuwa



KHITCH

MELBOURNE

Fuwa K Hitch (Australia) Pty Ltd
13-21 Bliss Court
Derrimut Vic 3030

Tel 03 9369 0000

Fax 03 9369 0100

Mobile 0411 844 407

email melb@khitch.com.au

www.khitch.com.au

PERTH

Fuwa K Hitch (Australia) Pty Ltd
480 Abernethy Road
Kewdale WA 6105

Tel 08 9449 1166

Fax 08 9449 1195

Mobile 0411 844 427

email perth@khitch.com.au

www.khitch.com.au

QUEENSLAND

Fuwa K Hitch (Australia) Pty Ltd
PO Box 121
Fernvale Qld 4306

Tel 07 5426 4866

Fax 07 5426 4866

Mobile 0416 021 662

email Qld@khitch.com.au

www.khitch.com.au

SINGAPORE

Fuwa Engineering (S) Pte Ltd
No 11 Tuas South Street 1
Singapore 638062

Tel 065 6862 2053

Fax 065 6862 2162

Mobile 9669 3916

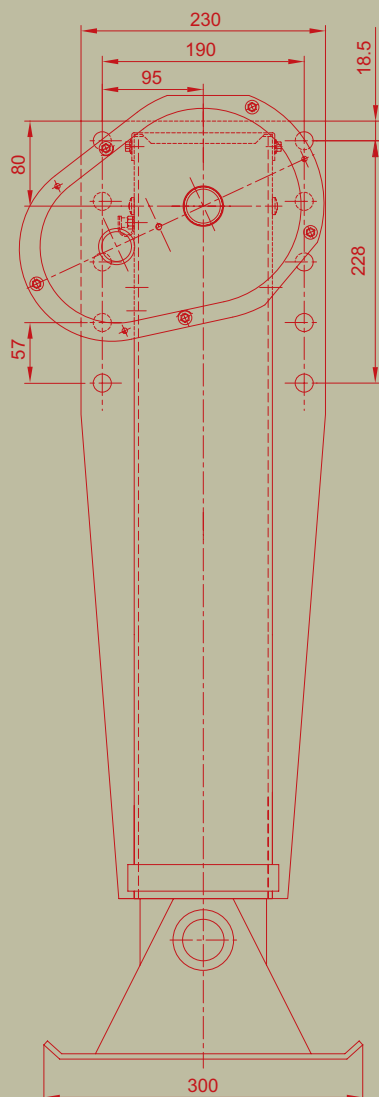
email fuwasin@pacific.net.sg

www.fuwa-china.com

Manufactured to ISO 9002 certification and designed to exceed the test conditions developed by the Association of American Railroad Engineers. This and other standard features provide greater strength and reliability.

Standard Model

PART NO.	LIFT
KH270001	430mm
KH270002	480mm



PART NO.	FOOT TYPE	STROKE
KH270001/A	ROCKER	430
KH270001/G	SELF LEVEL	430
KH270001/T	SKID	430
KH270001/S	COMPENSATING	430
KH270002/A	ROCKER	480
KH270002/G	SELF LEVEL	480
KH270002/T	SKID	480
KH270002/S	COMPENSATING	480



A Universal bolt pattern, two stroke lengths and five optional foot groups, allows for complete interchangeability with most other makes.

SPECIFICATIONS ARE SUBJECT TO CHANGE AT ANY TIME WITHOUT PRIOR NOTICE.

Features of the KH27000 series include:

Wider square sections of 130mm with "double" tubings. Wider full mounting plate of continental or universal version. 480mm or 430mm lift. Bigger sand shoe. Gearbox with low temperature premium chassis grease, rated for service from -30°C to +120°C. Low maintenance feature with grease packed jaw screw. Lower crank force. Meets TTMA, AAR and German safety regulations for commercial vehicles.

CONTACT YOUR LOCAL K HITCH DISTRIBUTOR FOR MORE INFORMATION ON K HITCH PRODUCTS.